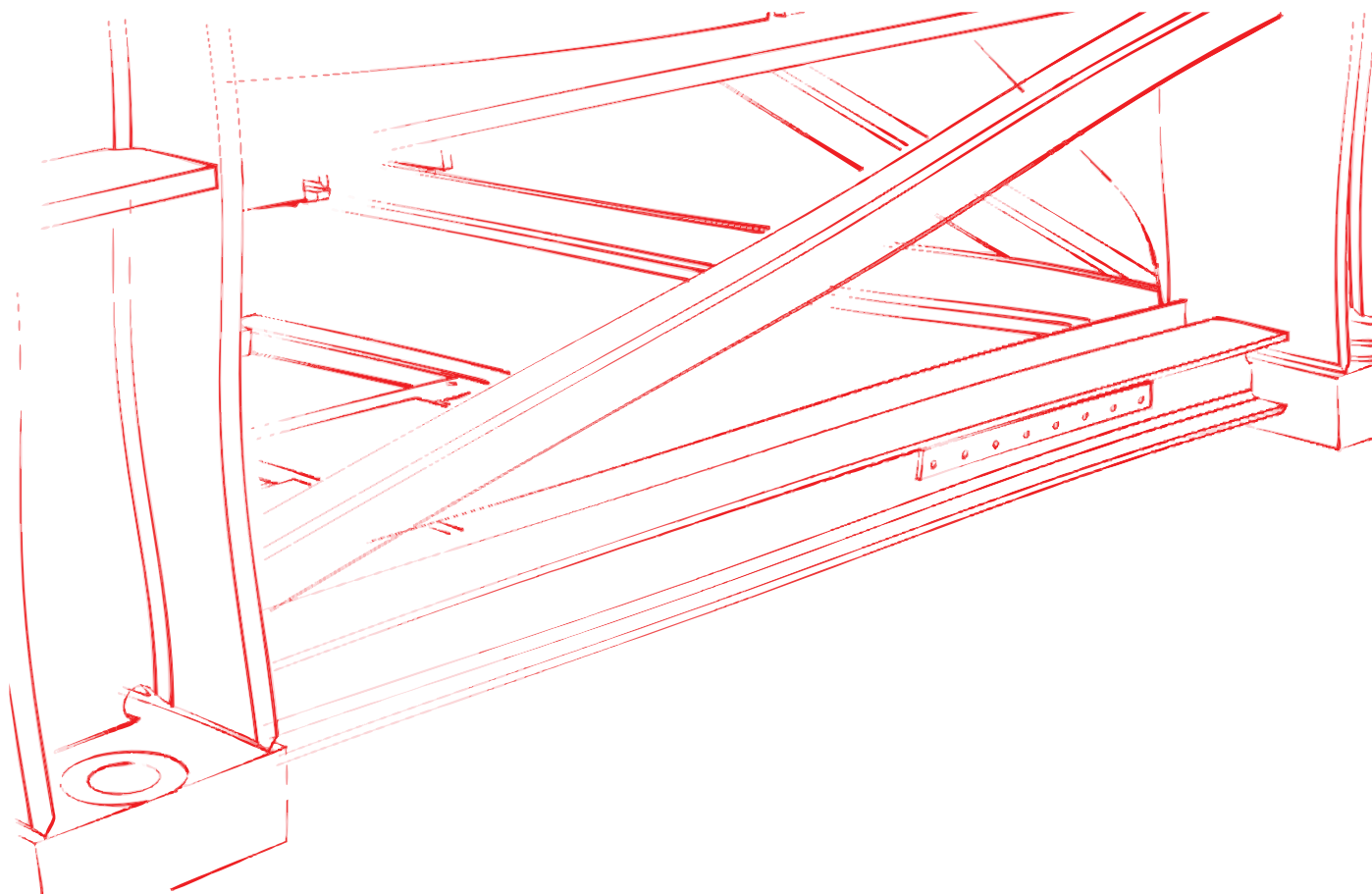


WOLFFKRAN

System component

WOLFF Cross frame element

Technical informations



English

English

WOLFF Cross frame element



Published by

WOLFFKRAN GmbH

Austraße 72

74076 Heilbronn

Germany

Phone +49 7131 9815 0

Fax +49 7131 9815 355

www.wolffkran.com

info@wolffkran.de

Copyright

This documentation including all of its subsections is protected by copyright laws.

Any type of use or modification outside of the stringent limits of the copyright laws without permission of WOLFFKRAN GmbH is prohibited and subject to penalties.

This applies particularly for copying, translation, microfilming and storage and processing in electronic systems.

At the time of printing, the information, data, illustrations and notes comprised in this manual were up-to-date.

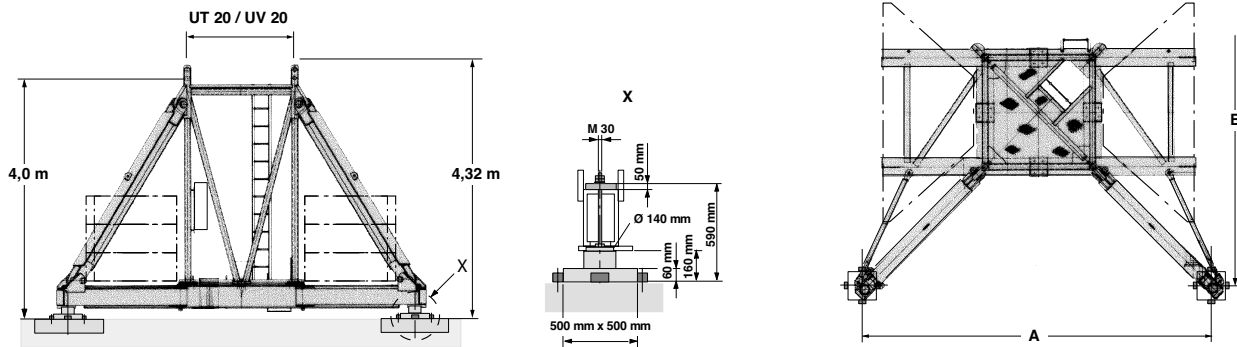
Subject to change of design, error and typos.

Stand: 06/2013

Table of contents

1	Technical Data KRE 260.1	5
2	Technical Data KRE 260.2	6
3	Technical Data KRE 4120	7

1 Technical Data KRE 260.1



Cross frame element KRE 260.1

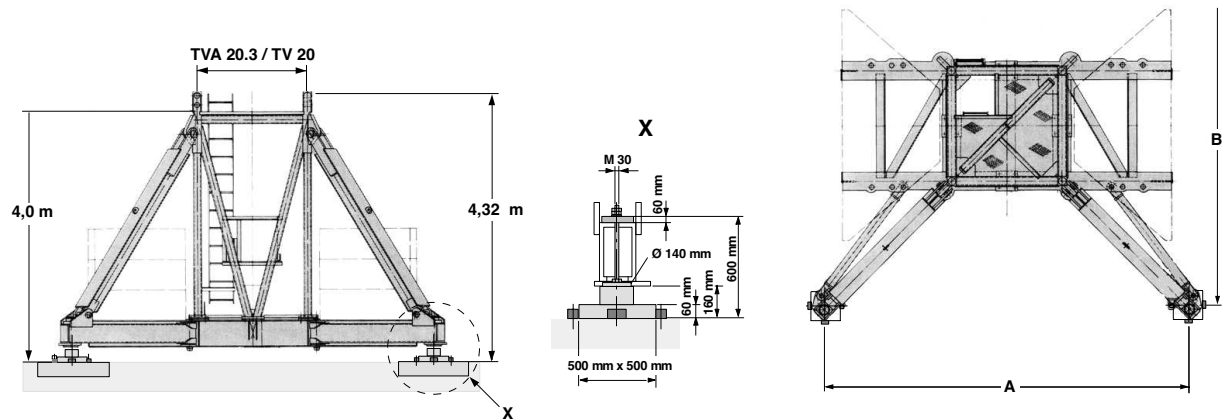
Min. clearance between "A" corners	5.00 m
Max. clearance between "A" corners	6.00 m
Min. clearance between "B" corners	6.00 m
Max. clearance between "B" corners	6.79 m
Cross frame element (without central ballast)	8500 kg

The cross frame element represents an independent module within the WOLFF slewing tower crane system.

For information pertaining to application options, refer to the manual of the corresponding WOLFF slewing tower crane (tower combination, central ballast block / corner load tables).

2 Technical Data KRE 260.2

2 Technical Data KRE 260.2



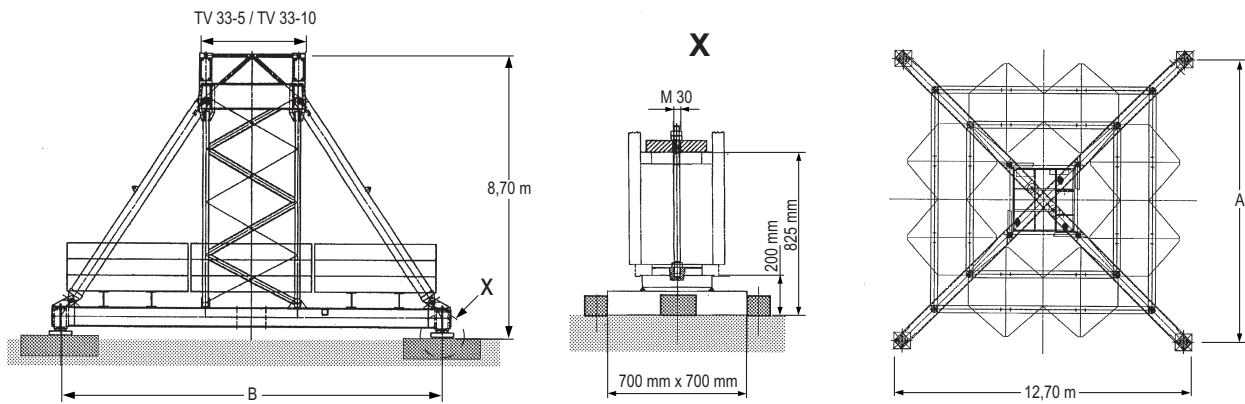
Cross frame element KRE 260.2

Min. clearance between "A" corners	5.00 m
Max. clearance between "A" corners	6.00 m
Min. clearance between "B" corners	6.00 m
Max. clearance between "B" corners	6.79 m
Cross frame element (without central ballast)	10900 kg

The cross frame element represents an independent module within the WOLFF slewing tower crane system.

For information pertaining to application options, refer to the manual of the corresponding WOLFF slewing tower crane (tower combination, central ballast block / corner load tables).

3 Technical Data KRE 4120



Cross frame element KRE 4120

Clearance between "A" corners	12.00 m
Clearance between "B" corners	12.00 m
Cross frame element (without central ballast)	58200 kg

The cross frame element represents an independent module within the WOLFF slewing tower crane system.

For information pertaining to application options, refer to the manual of the corresponding WOLFF slewing tower crane (tower combination, central ballast block / corner load tables).

WOLFFKRAN Group

Headquarter international:

WOLFFKRAN AG

Baarermattstraße 6

CH-6300 Zug

Switzerland

Phone +41 41 766 85 00

Fax +41 41 766 85 99

info@wolffkran.com

Manufacturing:

WOLFFKRAN GmbH

Austraße 72

D-74076 Heilbronn

Germany

Phone + 49 7131 9815 0

Fax + 49 7131 9815 355

info@wolffkran.de

WOLFFKRAN Werk Brandenburg GmbH

Frederik-Ipsen-Straße 5

D-15926 Luckau OT Alverno

Germany

Phone + 49 35456 674 0

Fax + 49 35456 674 200

info@wolffkran.de